

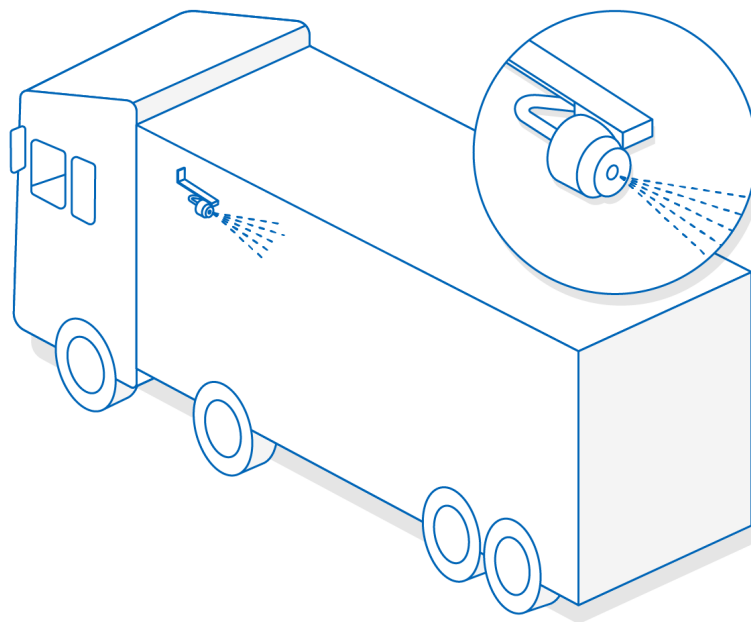
# TRUCK DESINFECTATION UNIT - TDU

**PATENT PENDING** - Automatic Truck Desinfection

## Complete disinfection with the push of a button

**The Truck Desinfection Unit (TDU) is an integrated fogging system for disinfecting trailers with only a push of a button.** A very fine and dry fog can be injected into the trailer with a nozzle operating on compressed air. This dry fog ensures there are no wet spots inside the trailer and ensures high penetration in nooks and crevices. Not only the trailer, but also everything inside the trailer like carts, crates and boxes will be disinfected. Suitable for all trailers where extra hygiene is required.

**Optionally,** the TDU can be used for fogging for humidification. With a humidistat the humidity can be regulated. Fog is injected when the humidity drops below a set level. **Other options** include: complete inside and outside disinfection, including wheel disinfection.



Depending on the options on your fogger, your product may look different from the image.

Version March 2022



FOGGING & HYGIENE

# TRUCK DESINFECTATION UNIT - TDU

**PATENT PENDING** - Automatic Truck Desinfection

## Specifications

- Completely **automatic desinfection of the trailer**
- Starting desinfection can be done from inside the cabin
- Can be used with different types of disinfectants like Quats, Aldehydes, Peroxide, and Formaldehyde
- The system can operate till  $-20^{\circ}$  Celcius when using an additive
- **Complete stainless steel** nozzles and valves
- For all trailers with extra hygiene requirements



Capacity

Desinfects  $40 \text{ m}^3$   
in 10 minutes.



Tank size

1 Tank  
Up to 30 treatments.



Air throw

n/a.



Power

n/a.



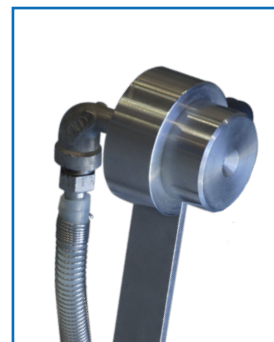
Droplet size

5 - 10  $\mu\text{m}$ .



Mobility

Fixed installation.



Version Oktober 2023

Depending on the options on your fogger, your product may look different from the image.